

## FX80A Compact Pressure Transmitter

### Product Overview

FX80A Series Intelligent Pressure Transmitter is a high-precision, highly stable pressure measurement product. Used digital technology which is the latest application results in the field of sensor manufacturing. The product is small volume, high precision, light weight, wide range measurement, suitable for various industries in precision measurement of fluid pressure.



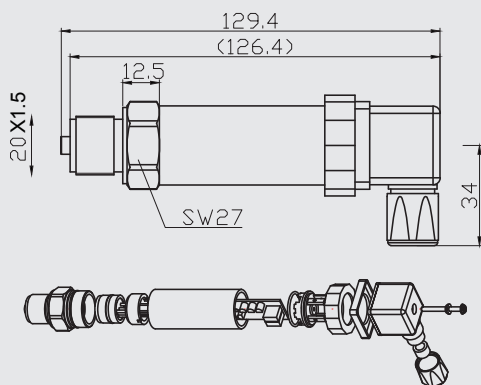
### Main Feature

- ◆ Wide measurement range.Gauge,Absolute,Negative pressure
- ◆ Laser marking, exquisite appearance
- ◆ Meet GB3836 standard,with Explosion-proof certificate
- ◆ The sensor adopts digital compensation and non -sexual correction
- ◆ All stainless steel structure, various pressure ports

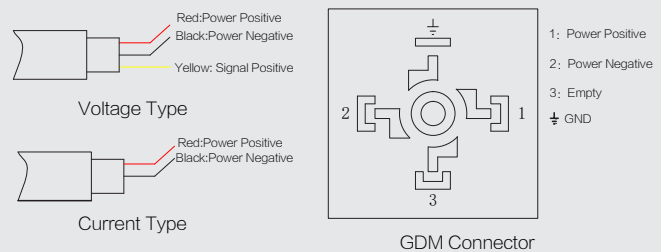
### Performance Index

Item	Technical Parameters
Pressure Range	0-5kPa ~ 260MPa ( Specific refer to selection table )
Pressure Type	Gague,Absoulte,Negative Pressure ( Optional )
Overload Pressure	Overload Pressure 150%,Burst Pressure 200%
Accuracy	0.25%F.S 0.5%F.S Optional
Long-term Stability	0.2%F.S/Year
Working Temperature	-20℃ ~ 70℃
Power supply	10V ~ 30VDC ( 24VDC )
Output Signal	4mA ~ 20mADC / 1V-5VDC / RS485 Optional
Protocal	MODBUS RTU / HART
Electronic connection	GDM Connector /Aviation Connector/Direct Cable / IP68 cable
Protection Grade	IP65 IP68
Explosion-proof level	Exia II CT4 Ga、 Exd II CT6 Gb、 ExtD A21 IP66 T80℃
Products Warranty	12 months

### Dimensions



### Electrical interface and wiring



**FX80A Intelligent Compact Pressure Transmitter Model Selection Table**

Item	Code		Description
FX80A	.....		Intelligent Compact Pressure Transmitter
Pressure Sensor		.....	Diffused silicon pressure sensor
	-1	.....	Monocrystalline silicon pressure sensor
	-2	.....	Silicon micro melting sensor
	-3	.....	Ceramic capacitive pressure sensor
Pressure Range	A	.....	0- 7kPa ~ 20kPa
	B	.....	0- 20kPa ~ 70kPa
	C	.....	0- 70kPa ~ 350kPa
	D	.....	0- 200kPa ~ 700kPa
	E	.....	0- 0.7MPa ~ 3.5MPa
	F	.....	0- 2.0MPa ~ 7MPa
	G	.....	0- 7MPa ~ 35MPa
	H	.....	0- 35MPa ~ 260MPa
Pressure Type		.....	Guage Pressure
	A	.....	Absolute pressure
	F	.....	Negative pressure
Accuracy	I	.....	± 0.1%F.S(Not applicable to G H ranges )
	II	.....	± 0.25%F.S
	III	.....	± 0.5%F.S
Output Signal	E	.....	4mA ~ 20mADC      2-Wire
	K	.....	1V ~ 5VDC            3-Wire
	R	.....	RS485                    4-Wire
	S	.....	4mA ~ 20mADC+HART   2-Wire
Pressure Connection	R	.....	M20*1.5 Male thread
	R1	.....	G1/2 Male thread
	R2	.....	G1/4 Male thread
	R3	.....	1/2NPTMale thread
	R4	.....	1/4NPTMale thread
	R5	.....	φ 50.5 Tri clamp
Electrical Connection	C1	.....	Gland plug,IP65 ( 1m Cable)
	C2	.....	GDM Connector,IP65
	C3	.....	Aviation Connectors,IP65
	C4	.....	Explosion-Proof direct lead ( 1m Cable )
	C6	.....	Cable direct cable lead IP68
Display Type		.....	Without Display(Standard)
	M2	.....	LCD Dispaly(GDM connector )
	M3	.....	LED Dispaly(GDM connector )
Explosion -proof Grade		.....	without explosion-proof requirement
	i	.....	Ex ia II C T4 Ga(Intrinsically Safe )
	d	.....	Exd II C T6 Gb ( Suitable C4 ) ( Flameproof )
	t	.....	Ex tD A21 IP66 T80℃ ( Dust type )
Accessories ( Optional )	Lm	.....	Cable length ( m)
	S	.....	With Cooling Device
	P	.....	Flush-membrane
	Y	.....	Special requirement